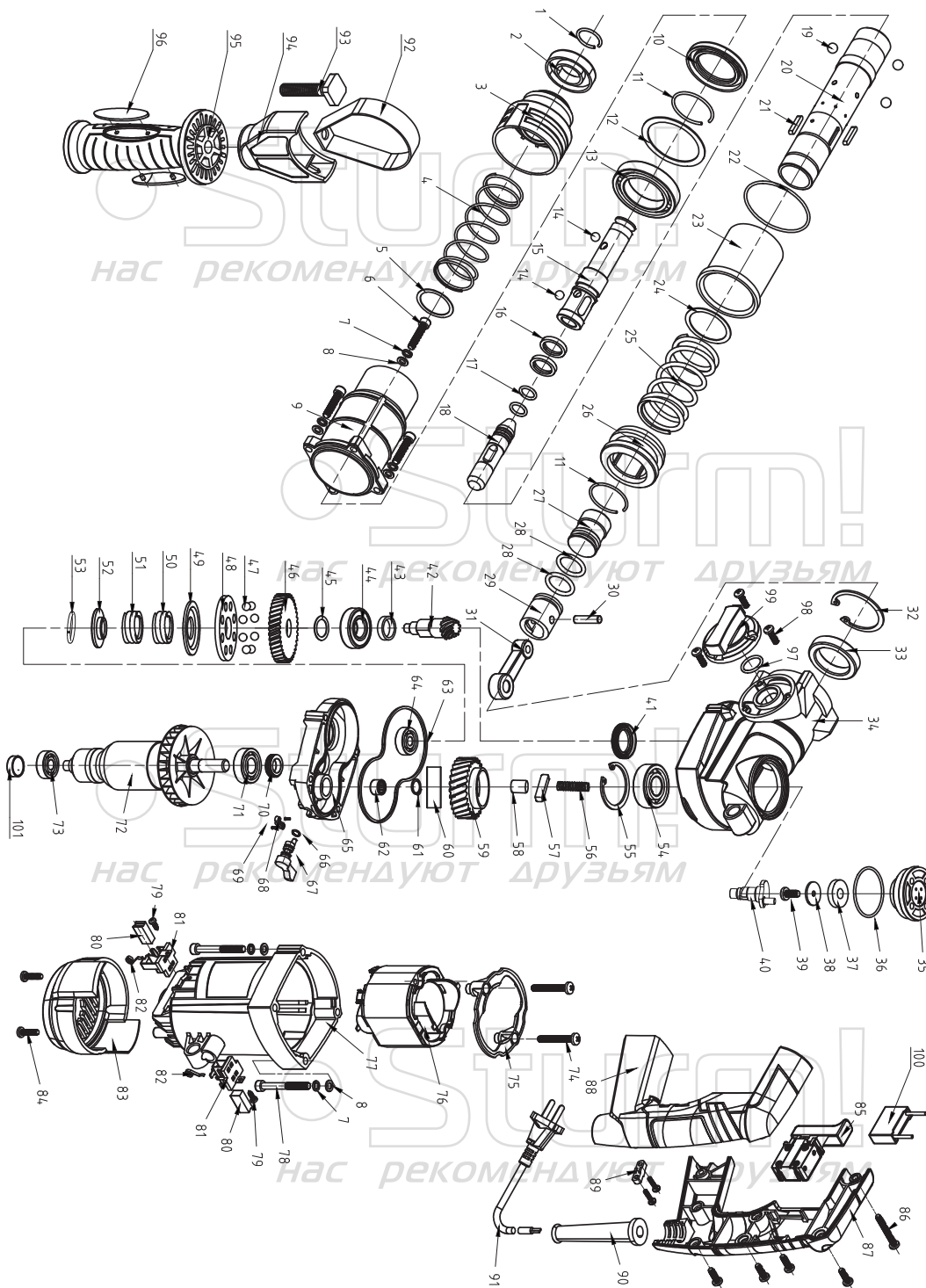


# RH2530V



NO.	DESCRIPTION	NO.	DESCRIPTION
1	ring 18*2	57	pad 5x5x22
2	Fornt Cap	58	offset pin
3	Slippage Clamp	59	gear 31
4	Spring	60	support sleeve
5	pad	61	Spring retainer ring17
6	Hex screwM5×25	62	needle bearingHK1208
7	washer5	63	Gasket Ring
8	Flat washer5	64	Bearing 627
9	front tube	65	Gearbox Cover
10	skeleton oil seal	66	O ring7.9X1.9
11	Spring retainer ring35	67	Mode Selector Switch
12	pad	68	three function plate
13	bearing 6906-2RS	69	Screw M4x12
14	Stell Ball 7.14	70	oil resistan ring
15	Rotate sheath	71	bearing 6200-2RS
16	O Ring20.9*2.1	72	rotor
17	O Ring11*2	73	bearing 608-2z
18	Impact Bolt	74	screw ST4X165
19	Stell Ball 6.35	75	led wind ring
20	Cylinder	76	stator
21	Key	77	housing
22	O ring47x2.5	78	screw M5x55
23	distance ring	79	screw ST2.9X10
24	pad30x40x2	80	carbon brush
25	big spring	81	brush holder
26	big angle gear31	82	spring
27	striker	83	rear cover
28	o ring 19x3.1	84	screw ST4X14F
29	piston	85	Switch
30	piston pin	86	screw ST4X22F
31	connecting rod	87	right handle
32	circlip Φ42	88	left handle
33	Needle Bearing	89	Cable hold down
34	gear box	90	Cable sheath
35	oil cap	91	Cable
36	o ring 37.5x2	92	anchor ear
37	woollen circle	93	bolt M8x45
38	pad6x18x1	94	supporting bracket
39	screw ST4X10F	95	Auxiliary handle
40	crank shaft	96	lable
41	skeleton oil seal	97	o ring14x1
42	bevel gear	98	screw M4x12
43	pad	99	knob together
44	bering 6002	100	capacitor
45	washer	101	bearing sleeve
46	gear36		
47	steel ball		
48	releasing fixed palte		
49	releasing protable palte		
50	Spring in		
51	Spring out		
52	spring seat		
53	Spring retainer ring35		
54	bearing 6003-2RS		
55	Spring retainer ring		
56	Spring		